

Inductors for high frequency circuits  
Multilayer ceramic  
MHQ-P series (for automotive)



AEC-Q200

## MHQ1005P type



### FEATURES

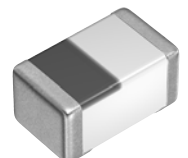
- Unique ceramic material and configuration allows for the realization of high Q characteristics that are equivalent to that of air core wound inductors.
- Multilayer method allows for a lineup with fine increments of inductance.
- Operating temperature range: -55 to +125°C

### APPLICATION

- Automotive equipment, smart phones, tablet terminals, high frequency modules, Bluetooth, W-LAN, UWB, tuners and other high frequency circuits for the mobile communication industry
- Application guides: [Car Infotainment](#)

### PART NUMBER CONSTRUCTION

MHQ	1005	P	0N7	B	T	D25
Series name	LxWxH dimensions 1.0x0.6x0.5 mm	Characteristics	Inductance (nH)	Inductance tolerance	Packaging style	Internal code



## MHQ1005P type

## CHARACTERISTICS SPECIFICATION TABLE

L (nH)	Tolerance	L measuring frequency (MHz)	Q min.	Q measuring frequency (MHz)	Self-resonant frequency		DC resistance		Rated current (mA)max.	Part No.
					(GHz)min.	(GHz)typ.	( $\Omega$ )max.	( $\Omega$ )typ.		
0.7	$\pm 0.1$ nH	100	—	250	15.0	18.3	0.03	0.01	1200	<a href="#">MHQ1005P0N7BTD25</a>
0.7	$\pm 0.2$ nH	100	—	250	15.0	18.3	0.03	0.01	1200	<a href="#">MHQ1005P0N7CTD25</a>
0.8	$\pm 0.1$ nH	100	—	250	15.0	18.3	0.03	0.01	1200	<a href="#">MHQ1005P0N8BTD25</a>
0.8	$\pm 0.2$ nH	100	—	250	15.0	18.3	0.03	0.01	1200	<a href="#">MHQ1005P0N8CTD25</a>
0.9	$\pm 0.1$ nH	100	—	250	15.0	18.6	0.03	0.01	1200	<a href="#">MHQ1005P0N9BTD25</a>
0.9	$\pm 0.2$ nH	100	—	250	15.0	18.6	0.03	0.01	1200	<a href="#">MHQ1005P0N9CTD25</a>
1.0	$\pm 0.1$ nH	100	—	250	15.0	20.0	0.03	0.01	1200	<a href="#">MHQ1005P1N0BTD25</a>
1.0	$\pm 0.2$ nH	100	—	250	15.0	20.0	0.03	0.01	1200	<a href="#">MHQ1005P1N0CTD25</a>
1.0	$\pm 0.3$ nH	100	—	250	15.0	20.0	0.03	0.01	1200	<a href="#">MHQ1005P1N0STD25</a>
1.1	$\pm 0.1$ nH	100	—	250	14.0	20.0	0.03	0.02	1200	<a href="#">MHQ1005P1N1BTD25</a>
1.1	$\pm 0.2$ nH	100	—	250	14.0	20.0	0.03	0.02	1200	<a href="#">MHQ1005P1N1CTD25</a>
1.1	$\pm 0.3$ nH	100	—	250	14.0	20.0	0.03	0.02	1200	<a href="#">MHQ1005P1N1STD25</a>
1.2	$\pm 0.1$ nH	100	—	250	13.0	20.0	0.03	0.01	1200	<a href="#">MHQ1005P1N2BTD25</a>
1.2	$\pm 0.2$ nH	100	—	250	13.0	20.0	0.03	0.01	1200	<a href="#">MHQ1005P1N2CTD25</a>
1.2	$\pm 0.3$ nH	100	—	250	13.0	20.0	0.03	0.01	1200	<a href="#">MHQ1005P1N2STD25</a>
1.3	$\pm 0.1$ nH	100	—	250	12.0	20.0	0.03	0.01	1200	<a href="#">MHQ1005P1N3BTD25</a>
1.3	$\pm 0.2$ nH	100	—	250	12.0	20.0	0.03	0.01	1200	<a href="#">MHQ1005P1N3CTD25</a>
1.3	$\pm 0.3$ nH	100	—	250	12.0	20.0	0.03	0.01	1200	<a href="#">MHQ1005P1N3STD25</a>
1.4	$\pm 0.1$ nH	100	23	250	12.0	20.0	0.04	0.02	1000	<a href="#">MHQ1005P1N4BTD25</a>
1.4	$\pm 0.2$ nH	100	23	250	12.0	20.0	0.04	0.02	1000	<a href="#">MHQ1005P1N4CTD25</a>
1.4	$\pm 0.3$ nH	100	23	250	12.0	20.0	0.04	0.02	1000	<a href="#">MHQ1005P1N4STD25</a>
1.5	$\pm 0.1$ nH	100	23	250	11.0	19.7	0.04	0.02	1000	<a href="#">MHQ1005P1N5BTD25</a>
1.5	$\pm 0.2$ nH	100	23	250	11.0	19.7	0.04	0.02	1000	<a href="#">MHQ1005P1N5CTD25</a>
1.5	$\pm 0.3$ nH	100	23	250	11.0	19.7	0.04	0.02	1000	<a href="#">MHQ1005P1N5STD25</a>
1.6	$\pm 0.1$ nH	100	23	250	10.0	15.2	0.04	0.02	1000	<a href="#">MHQ1005P1N6BTD25</a>
1.6	$\pm 0.2$ nH	100	23	250	10.0	15.2	0.04	0.02	1000	<a href="#">MHQ1005P1N6CTD25</a>
1.6	$\pm 0.3$ nH	100	23	250	10.0	15.2	0.04	0.02	1000	<a href="#">MHQ1005P1N6STD25</a>
1.7	$\pm 0.1$ nH	100	23	250	10.0	15.4	0.04	0.02	1000	<a href="#">MHQ1005P1N7BTD25</a>
1.7	$\pm 0.2$ nH	100	23	250	10.0	15.4	0.04	0.02	1000	<a href="#">MHQ1005P1N7CTD25</a>
1.7	$\pm 0.3$ nH	100	23	250	10.0	15.4	0.04	0.02	1000	<a href="#">MHQ1005P1N7STD25</a>
1.8	$\pm 0.1$ nH	100	23	250	9.0	15.1	0.04	0.03	1000	<a href="#">MHQ1005P1N8BTD25</a>
1.8	$\pm 0.2$ nH	100	23	250	9.0	15.1	0.04	0.03	1000	<a href="#">MHQ1005P1N8CTD25</a>
1.8	$\pm 0.3$ nH	100	23	250	9.0	15.1	0.04	0.03	1000	<a href="#">MHQ1005P1N8STD25</a>
1.9	$\pm 0.1$ nH	100	23	250	8.0	14.8	0.05	0.03	1000	<a href="#">MHQ1005P1N9BTD25</a>
1.9	$\pm 0.2$ nH	100	23	250	8.0	14.8	0.05	0.03	1000	<a href="#">MHQ1005P1N9CTD25</a>
1.9	$\pm 0.3$ nH	100	23	250	8.0	14.8	0.05	0.03	1000	<a href="#">MHQ1005P1N9STD25</a>
2.0	$\pm 0.1$ nH	100	23	250	8.0	11.5	0.05	0.03	1000	<a href="#">MHQ1005P2N0BTD25</a>
2.0	$\pm 0.2$ nH	100	23	250	8.0	11.5	0.05	0.03	1000	<a href="#">MHQ1005P2N0CTD25</a>
2.0	$\pm 0.3$ nH	100	23	250	8.0	11.5	0.05	0.03	1000	<a href="#">MHQ1005P2N0STD25</a>
2.1	$\pm 0.1$ nH	100	23	250	8.0	13.1	0.06	0.04	1000	<a href="#">MHQ1005P2N1BTD25</a>
2.1	$\pm 0.2$ nH	100	23	250	8.0	13.1	0.06	0.04	1000	<a href="#">MHQ1005P2N1CTD25</a>
2.1	$\pm 0.3$ nH	100	23	250	8.0	13.1	0.06	0.04	1000	<a href="#">MHQ1005P2N1STD25</a>
2.2	$\pm 0.1$ nH	100	23	250	8.0	12.1	0.06	0.04	1000	<a href="#">MHQ1005P2N2BTD25</a>
2.2	$\pm 0.2$ nH	100	23	250	8.0	12.1	0.06	0.04	1000	<a href="#">MHQ1005P2N2CTD25</a>
2.2	$\pm 0.3$ nH	100	23	250	8.0	12.1	0.06	0.04	1000	<a href="#">MHQ1005P2N2STD25</a>

## Measurement equipment

Measurement item	Product No.	Manufacturer
L, Q	4291B+16193A	Keysight Technologies
Self-resonant frequency	8720C	Keysight Technologies
DC resistance	Type-7561	Yokogawa

\* Equivalent measurement equipment may be used.

## MHQ1005P type

## CHARACTERISTICS SPECIFICATION TABLE

L (nH)	Tolerance	L measuring frequency (MHz)	Q min.	Q measuring frequency (MHz)	Self-resonant frequency		DC resistance		Rated current (mA)max.	Part No.
					(GHz)min.	(GHz)typ.	( $\Omega$ )max.	( $\Omega$ )typ.		
2.3	$\pm 0.1$ nH	100	23	250	7.0	10.5	0.07	0.05	1000	<a href="#">MHQ1005P2N3BTD25</a>
2.3	$\pm 0.2$ nH	100	23	250	7.0	10.5	0.07	0.05	1000	<a href="#">MHQ1005P2N3CTD25</a>
2.3	$\pm 0.3$ nH	100	23	250	7.0	10.5	0.07	0.05	1000	<a href="#">MHQ1005P2N3STD25</a>
2.4	$\pm 0.1$ nH	100	23	250	6.5	9.8	0.06	0.04	1000	<a href="#">MHQ1005P2N4BTD25</a>
2.4	$\pm 0.2$ nH	100	23	250	6.5	9.8	0.06	0.04	1000	<a href="#">MHQ1005P2N4CTD25</a>
2.4	$\pm 0.3$ nH	100	23	250	6.5	9.8	0.06	0.04	1000	<a href="#">MHQ1005P2N4STD25</a>
2.5	$\pm 0.1$ nH	100	23	250	6.5	10.3	0.07	0.05	900	<a href="#">MHQ1005P2N5BTD25</a>
2.5	$\pm 0.2$ nH	100	23	250	6.5	10.3	0.07	0.05	900	<a href="#">MHQ1005P2N5CTD25</a>
2.5	$\pm 0.3$ nH	100	23	250	6.5	10.3	0.07	0.05	900	<a href="#">MHQ1005P2N5STD25</a>
2.6	$\pm 0.1$ nH	100	23	250	6.5	10.1	0.07	0.05	900	<a href="#">MHQ1005P2N6BTD25</a>
2.6	$\pm 0.2$ nH	100	23	250	6.5	10.1	0.07	0.05	900	<a href="#">MHQ1005P2N6CTD25</a>
2.6	$\pm 0.3$ nH	100	23	250	6.5	10.1	0.07	0.05	900	<a href="#">MHQ1005P2N6STD25</a>
2.7	$\pm 0.1$ nH	100	23	250	6.5	9.6	0.07	0.04	900	<a href="#">MHQ1005P2N7BTD25</a>
2.7	$\pm 0.2$ nH	100	23	250	6.5	9.6	0.07	0.04	900	<a href="#">MHQ1005P2N7CTD25</a>
2.7	$\pm 0.3$ nH	100	23	250	6.5	9.6	0.07	0.04	900	<a href="#">MHQ1005P2N7STD25</a>
2.8	$\pm 0.1$ nH	100	23	250	6.5	10.3	0.08	0.05	900	<a href="#">MHQ1005P2N8BTD25</a>
2.8	$\pm 0.2$ nH	100	23	250	6.5	10.3	0.08	0.05	900	<a href="#">MHQ1005P2N8CTD25</a>
2.8	$\pm 0.3$ nH	100	23	250	6.5	10.3	0.08	0.05	900	<a href="#">MHQ1005P2N8STD25</a>
2.9	$\pm 0.1$ nH	100	23	250	6.5	9.9	0.08	0.05	900	<a href="#">MHQ1005P2N9BTD25</a>
2.9	$\pm 0.2$ nH	100	23	250	6.5	9.9	0.08	0.05	900	<a href="#">MHQ1005P2N9CTD25</a>
2.9	$\pm 0.3$ nH	100	23	250	6.5	9.9	0.08	0.05	900	<a href="#">MHQ1005P2N9STD25</a>
3.0	$\pm 0.1$ nH	100	23	250	6.0	9.4	0.08	0.06	900	<a href="#">MHQ1005P3N0BTD25</a>
3.0	$\pm 0.2$ nH	100	23	250	6.0	9.4	0.08	0.06	900	<a href="#">MHQ1005P3N0CTD25</a>
3.0	$\pm 0.3$ nH	100	23	250	6.0	9.4	0.08	0.06	900	<a href="#">MHQ1005P3N0STD25</a>
3.1	$\pm 0.1$ nH	100	23	250	6.0	10.3	0.09	0.06	900	<a href="#">MHQ1005P3N1BTD25</a>
3.1	$\pm 0.2$ nH	100	23	250	6.0	10.3	0.09	0.06	900	<a href="#">MHQ1005P3N1CTD25</a>
3.1	$\pm 0.3$ nH	100	23	250	6.0	10.3	0.09	0.06	900	<a href="#">MHQ1005P3N1STD25</a>
3.2	$\pm 0.1$ nH	100	23	250	6.0	10.0	0.09	0.07	900	<a href="#">MHQ1005P3N2BTD25</a>
3.2	$\pm 0.2$ nH	100	23	250	6.0	10.0	0.09	0.07	900	<a href="#">MHQ1005P3N2CTD25</a>
3.2	$\pm 0.3$ nH	100	23	250	6.0	10.0	0.09	0.07	900	<a href="#">MHQ1005P3N2STD25</a>
3.3	$\pm 0.1$ nH	100	23	250	6.0	9.0	0.08	0.06	900	<a href="#">MHQ1005P3N3BTD25</a>
3.3	$\pm 0.2$ nH	100	23	250	6.0	9.0	0.08	0.06	900	<a href="#">MHQ1005P3N3CTD25</a>
3.3	$\pm 0.3$ nH	100	23	250	6.0	9.0	0.08	0.06	900	<a href="#">MHQ1005P3N3STD25</a>
3.4	$\pm 0.1$ nH	100	23	250	6.0	9.0	0.09	0.06	900	<a href="#">MHQ1005P3N4BTD25</a>
3.4	$\pm 0.2$ nH	100	23	250	6.0	9.0	0.09	0.06	900	<a href="#">MHQ1005P3N4CTD25</a>
3.4	$\pm 0.3$ nH	100	23	250	6.0	9.0	0.09	0.06	900	<a href="#">MHQ1005P3N4STD25</a>
3.5	$\pm 0.1$ nH	100	23	250	5.8	8.8	0.09	0.07	900	<a href="#">MHQ1005P3N5BTD25</a>
3.5	$\pm 0.2$ nH	100	23	250	5.8	8.8	0.09	0.07	900	<a href="#">MHQ1005P3N5CTD25</a>
3.5	$\pm 0.3$ nH	100	23	250	5.8	8.8	0.09	0.07	900	<a href="#">MHQ1005P3N5STD25</a>
3.6	$\pm 0.1$ nH	100	23	250	5.5	8.4	0.09	0.07	900	<a href="#">MHQ1005P3N6BTD25</a>
3.6	$\pm 0.2$ nH	100	23	250	5.5	8.4	0.09	0.07	900	<a href="#">MHQ1005P3N6CTD25</a>
3.6	$\pm 0.3$ nH	100	23	250	5.5	8.4	0.09	0.07	900	<a href="#">MHQ1005P3N6STD25</a>
3.7	$\pm 0.1$ nH	100	23	250	5.5	8.5	0.10	0.08	900	<a href="#">MHQ1005P3N7BTD25</a>
3.7	$\pm 0.2$ nH	100	23	250	5.5	8.5	0.10	0.08	900	<a href="#">MHQ1005P3N7CTD25</a>
3.7	$\pm 0.3$ nH	100	23	250	5.5	8.5	0.10	0.08	900	<a href="#">MHQ1005P3N7STD25</a>

## Measurement equipment

Measurement item	Product No.	Manufacturer
L, Q	4291B+16193A	Keysight Technologies
Self-resonant frequency	8720C	Keysight Technologies
DC resistance	Type-7561	Yokogawa

\* Equivalent measurement equipment may be used.

## MHQ1005P type

## CHARACTERISTICS SPECIFICATION TABLE

L (nH)	Tolerance	L measuring frequency (MHz)	Q min.	Q measuring frequency (MHz)	Self-resonant frequency		DC resistance		Rated current (mA)max.	Part No.
					(GHz)min.	(GHz)typ.	( $\Omega$ )max.	( $\Omega$ )typ.		
3.8	$\pm 0.1$ nH	100	23	250	5.0	7.9	0.10	0.07	900	<a href="#">MHQ1005P3N8BTD25</a>
3.8	$\pm 0.2$ nH	100	23	250	5.0	7.9	0.10	0.07	900	<a href="#">MHQ1005P3N8CTD25</a>
3.8	$\pm 0.3$ nH	100	23	250	5.0	7.9	0.10	0.07	900	<a href="#">MHQ1005P3N8STD25</a>
3.9	$\pm 0.1$ nH	100	23	250	5.0	7.7	0.09	0.07	900	<a href="#">MHQ1005P3N9BTD25</a>
3.9	$\pm 0.2$ nH	100	23	250	5.0	7.7	0.09	0.07	900	<a href="#">MHQ1005P3N9CTD25</a>
3.9	$\pm 0.3$ nH	100	23	250	5.0	7.7	0.09	0.07	900	<a href="#">MHQ1005P3N9STD25</a>
4.1	$\pm 0.1$ nH	100	23	250	5.0	7.7	0.10	0.07	800	<a href="#">MHQ1005P4N1BTD25</a>
4.1	$\pm 0.2$ nH	100	23	250	5.0	7.7	0.10	0.07	800	<a href="#">MHQ1005P4N1CTD25</a>
4.1	$\pm 0.3$ nH	100	23	250	5.0	7.7	0.10	0.07	800	<a href="#">MHQ1005P4N1STD25</a>
4.3	$\pm 0.1$ nH	100	23	250	5.0	7.1	0.10	0.08	800	<a href="#">MHQ1005P4N3BTD25</a>
4.3	$\pm 0.2$ nH	100	23	250	5.0	7.1	0.10	0.08	800	<a href="#">MHQ1005P4N3CTD25</a>
4.3	$\pm 0.3$ nH	100	23	250	5.0	7.1	0.10	0.08	800	<a href="#">MHQ1005P4N3STD25</a>
4.7	$\pm 0.1$ nH	100	23	250	5.0	7.7	0.11	0.08	800	<a href="#">MHQ1005P4N7BTD25</a>
4.7	$\pm 0.2$ nH	100	23	250	5.0	7.7	0.11	0.08	800	<a href="#">MHQ1005P4N7CTD25</a>
4.7	$\pm 0.3$ nH	100	23	250	5.0	7.7	0.11	0.08	800	<a href="#">MHQ1005P4N7STD25</a>
5.1	$\pm 0.1$ nH	100	23	250	4.5	7.2	0.12	0.09	800	<a href="#">MHQ1005P5N1BTD25</a>
5.1	$\pm 0.2$ nH	100	23	250	4.5	7.2	0.12	0.09	800	<a href="#">MHQ1005P5N1CTD25</a>
5.1	$\pm 0.3$ nH	100	23	250	4.5	7.2	0.12	0.09	800	<a href="#">MHQ1005P5N1STD25</a>
5.6	$\pm 0.1$ nH	100	23	250	4.5	6.5	0.13	0.10	800	<a href="#">MHQ1005P5N6BTD25</a>
5.6	$\pm 0.2$ nH	100	23	250	4.5	6.5	0.13	0.10	800	<a href="#">MHQ1005P5N6CTD25</a>
5.6	$\pm 0.3$ nH	100	23	250	4.5	6.5	0.13	0.10	800	<a href="#">MHQ1005P5N6STD25</a>
5.8	$\pm 0.1$ nH	100	23	250	4.0	5.9	0.13	0.09	700	<a href="#">MHQ1005P5N8BTD25</a>
5.8	$\pm 0.2$ nH	100	23	250	4.0	5.9	0.13	0.09	700	<a href="#">MHQ1005P5N8CTD25</a>
5.8	$\pm 0.3$ nH	100	23	250	4.0	5.9	0.13	0.09	700	<a href="#">MHQ1005P5N8STD25</a>
6.2	$\pm 0.1$ nH	100	23	250	4.0	5.9	0.13	0.09	700	<a href="#">MHQ1005P6N2BTD25</a>
6.2	$\pm 0.2$ nH	100	23	250	4.0	5.9	0.13	0.09	700	<a href="#">MHQ1005P6N2CTD25</a>
6.2	$\pm 0.3$ nH	100	23	250	4.0	5.9	0.13	0.09	700	<a href="#">MHQ1005P6N2STD25</a>
6.8	$\pm 2\%$	100	23	250	4.0	5.8	0.14	0.10	700	<a href="#">MHQ1005P6N8GTD25</a>
6.8	$\pm 3\%$	100	23	250	4.0	5.8	0.14	0.10	700	<a href="#">MHQ1005P6N8HTD25</a>
6.8	$\pm 5\%$	100	23	250	4.0	5.8	0.14	0.10	700	<a href="#">MHQ1005P6N8JTD25</a>
7.3	$\pm 2\%$	100	23	250	4.0	5.7	0.17	0.13	600	<a href="#">MHQ1005P7N3GTD25</a>
7.3	$\pm 3\%$	100	23	250	4.0	5.7	0.17	0.13	600	<a href="#">MHQ1005P7N3HTD25</a>
7.3	$\pm 5\%$	100	23	250	4.0	5.7	0.17	0.13	600	<a href="#">MHQ1005P7N3JTD25</a>
7.5	$\pm 2\%$	100	23	250	4.0	5.6	0.16	0.12	600	<a href="#">MHQ1005P7N5GTD25</a>
7.5	$\pm 3\%$	100	23	250	4.0	5.6	0.16	0.12	600	<a href="#">MHQ1005P7N5HTD25</a>
7.5	$\pm 5\%$	100	23	250	4.0	5.6	0.16	0.12	600	<a href="#">MHQ1005P7N5JTD25</a>
8.2	$\pm 2\%$	100	23	250	3.6	4.9	0.16	0.12	550	<a href="#">MHQ1005P8N2GTD25</a>
8.2	$\pm 3\%$	100	23	250	3.6	4.9	0.16	0.12	550	<a href="#">MHQ1005P8N2HTD25</a>
8.2	$\pm 5\%$	100	23	250	3.6	4.9	0.16	0.12	550	<a href="#">MHQ1005P8N2JTD25</a>
8.7	$\pm 2\%$	100	23	250	3.5	4.7	0.17	0.13	550	<a href="#">MHQ1005P8N7GTD25</a>
8.7	$\pm 3\%$	100	23	250	3.5	4.7	0.17	0.13	550	<a href="#">MHQ1005P8N7HTD25</a>
8.7	$\pm 5\%$	100	23	250	3.5	4.7	0.17	0.13	550	<a href="#">MHQ1005P8N7JTD25</a>
9.1	$\pm 2\%$	100	23	250	3.4	4.5	0.17	0.13	550	<a href="#">MHQ1005P9N1GTD25</a>
9.1	$\pm 3\%$	100	23	250	3.4	4.5	0.17	0.13	550	<a href="#">MHQ1005P9N1HTD25</a>
9.1	$\pm 5\%$	100	23	250	3.4	4.5	0.17	0.13	550	<a href="#">MHQ1005P9N1JTD25</a>

## Measurement equipment

Measurement item	Product No.	Manufacturer
L, Q	4291B+16193A	Keysight Technologies
Self-resonant frequency	8720C	Keysight Technologies
DC resistance	Type-7561	Yokogawa

\* Equivalent measurement equipment may be used.

## MHQ1005P type

## CHARACTERISTICS SPECIFICATION TABLE

L (nH)	Tolerance	L measuring frequency (MHz)	Q min.	Q measuring frequency (MHz)	Self-resonant frequency		DC resistance		Rated current (mA)max.	Part No.
					(GHz)min.	(GHz)typ.	( $\Omega$ )max.	( $\Omega$ )typ.		
9.5	±2%	100	23	250	3.3	4.7	0.21	0.16	500	<a href="#">MHQ1005P9N5GTD25</a>
9.5	±3%	100	23	250	3.3	4.7	0.21	0.16	500	<a href="#">MHQ1005P9N5HTD25</a>
9.5	±5%	100	23	250	3.3	4.7	0.21	0.16	500	<a href="#">MHQ1005P9N5JTD25</a>
10	±2%	100	23	250	3.3	4.6	0.19	0.15	500	<a href="#">MHQ1005P10NGTD25</a>
10	±3%	100	23	250	3.3	4.6	0.19	0.15	500	<a href="#">MHQ1005P10NHTD25</a>
10	±5%	100	23	250	3.3	4.6	0.19	0.15	500	<a href="#">MHQ1005P10NJTD25</a>
11	±2%	100	23	250	3.0	4.2	0.24	0.20	450	<a href="#">MHQ1005P11NGTD25</a>
11	±3%	100	23	250	3.0	4.2	0.24	0.20	450	<a href="#">MHQ1005P11NHTD25</a>
11	±5%	100	23	250	3.0	4.2	0.24	0.20	450	<a href="#">MHQ1005P11NJTD25</a>
12	±2%	100	23	250	2.8	3.8	0.24	0.19	450	<a href="#">MHQ1005P12NGTD25</a>
12	±3%	100	23	250	2.8	3.8	0.24	0.19	450	<a href="#">MHQ1005P12NHTD25</a>
12	±5%	100	23	250	2.8	3.8	0.24	0.19	450	<a href="#">MHQ1005P12NJTD25</a>
13	±2%	100	23	250	2.5	3.5	0.26	0.20	420	<a href="#">MHQ1005P13NGTD25</a>
13	±3%	100	23	250	2.5	3.5	0.26	0.20	420	<a href="#">MHQ1005P13NHTD25</a>
13	±5%	100	23	250	2.5	3.5	0.26	0.20	420	<a href="#">MHQ1005P13NJTD25</a>
15	±2%	100	23	250	2.3	3.2	0.28	0.22	400	<a href="#">MHQ1005P15NGTD25</a>
15	±3%	100	23	250	2.3	3.2	0.28	0.22	400	<a href="#">MHQ1005P15NHTD25</a>
15	±5%	100	23	250	2.3	3.2	0.28	0.22	400	<a href="#">MHQ1005P15NJTD25</a>
16	±2%	100	20	250	2.3	3.5	0.80	0.57	260	<a href="#">MHQ1005P16NGTD25</a>
16	±3%	100	20	250	2.3	3.5	0.80	0.57	260	<a href="#">MHQ1005P16NHTD25</a>
16	±5%	100	20	250	2.3	3.5	0.80	0.57	260	<a href="#">MHQ1005P16NJTD25</a>
18	±2%	100	22	250	2.3	3.4	0.80	0.48	260	<a href="#">MHQ1005P18NGTD25</a>
18	±3%	100	22	250	2.3	3.4	0.80	0.48	260	<a href="#">MHQ1005P18NHTD25</a>
18	±5%	100	22	250	2.3	3.4	0.80	0.48	260	<a href="#">MHQ1005P18NJTD25</a>
19	±2%	100	20	250	2.3	3.2	0.80	0.46	260	<a href="#">MHQ1005P19NGTD25</a>
19	±3%	100	20	250	2.3	3.2	0.80	0.46	260	<a href="#">MHQ1005P19NHTD25</a>
19	±5%	100	20	250	2.3	3.2	0.80	0.46	260	<a href="#">MHQ1005P19NJTD25</a>
20	±2%	100	20	250	2.1	3.1	1.10	0.46	260	<a href="#">MHQ1005P20NGTD25</a>
20	±3%	100	20	250	2.1	3.1	1.10	0.46	260	<a href="#">MHQ1005P20NHTD25</a>
20	±5%	100	20	250	2.1	3.1	1.10	0.46	260	<a href="#">MHQ1005P20NJTD25</a>
22	±2%	100	20	250	2.1	2.9	1.10	0.66	230	<a href="#">MHQ1005P22NGTD25</a>
22	±3%	100	20	250	2.1	2.9	1.10	0.66	230	<a href="#">MHQ1005P22NHTD25</a>
22	±5%	100	20	250	2.1	2.9	1.10	0.66	230	<a href="#">MHQ1005P22NJTD25</a>
23	±2%	100	22	250	2.0	2.9	1.10	0.62	230	<a href="#">MHQ1005P23NGTD25</a>
23	±3%	100	22	250	2.0	2.9	1.10	0.62	230	<a href="#">MHQ1005P23NHTD25</a>
23	±5%	100	22	250	2.0	2.9	1.10	0.62	230	<a href="#">MHQ1005P23NJTD25</a>
24	±2%	100	20	250	2.0	2.8	1.20	0.55	230	<a href="#">MHQ1005P24NGTD25</a>
24	±3%	100	20	250	2.0	2.8	1.20	0.55	230	<a href="#">MHQ1005P24NHTD25</a>
24	±5%	100	20	250	2.0	2.8	1.20	0.55	230	<a href="#">MHQ1005P24NJTD25</a>
27	±2%	100	20	250	1.7	2.6	1.30	0.66	230	<a href="#">MHQ1005P27NGTD25</a>
27	±3%	100	20	250	1.7	2.6	1.30	0.66	230	<a href="#">MHQ1005P27NHTD25</a>
27	±5%	100	20	250	1.7	2.6	1.30	0.66	230	<a href="#">MHQ1005P27NJTD25</a>
30	±2%	100	20	250	1.7	2.4	1.30	0.80	220	<a href="#">MHQ1005P30NGTD25</a>
30	±3%	100	20	250	1.7	2.4	1.30	0.80	220	<a href="#">MHQ1005P30NHTD25</a>
30	±5%	100	20	250	1.7	2.4	1.30	0.80	220	<a href="#">MHQ1005P30NJTD25</a>

## Measurement equipment

Measurement item	Product No.	Manufacturer
L, Q	4291B+16193A	Keysight Technologies
Self-resonant frequency	8720C	Keysight Technologies
DC resistance	Type-7561	Yokogawa

\* Equivalent measurement equipment may be used.

## MHQ1005P type

## CHARACTERISTICS SPECIFICATION TABLE

L (nH)	Tolerance	L measuring frequency (MHz)	Q min.	Q measuring frequency (MHz)	Self-resonant frequency		DC resistance		Rated current (mA)max.	Part No.
					(GHz)min.	(GHz)typ.	( $\Omega$ )max.	( $\Omega$ )typ.		
33	±2%	100	20	250	1.6	2.3	1.50	0.74	220	<a href="#">MHQ1005P33NGTD25</a>
33	±3%	100	20	250	1.6	2.3	1.50	0.74	220	<a href="#">MHQ1005P33NHTD25</a>
33	±5%	100	20	250	1.6	2.3	1.50	0.74	220	<a href="#">MHQ1005P33NJTD25</a>
36	±2%	100	20	250	1.6	2.2	1.50	0.92	190	<a href="#">MHQ1005P36NGTD25</a>
36	±3%	100	20	250	1.6	2.2	1.50	0.92	190	<a href="#">MHQ1005P36NHTD25</a>
36	±5%	100	20	250	1.6	2.2	1.50	0.92	190	<a href="#">MHQ1005P36NJTD25</a>
39	±2%	100	20	250	1.4	2.1	1.50	0.95	190	<a href="#">MHQ1005P39NGTD25</a>
39	±3%	100	20	250	1.4	2.1	1.50	0.95	190	<a href="#">MHQ1005P39NHTD25</a>
39	±5%	100	20	250	1.4	2.1	1.50	0.95	190	<a href="#">MHQ1005P39NJTD25</a>
40	±2%	100	20	250	1.4	2.1	1.50	1.12	190	<a href="#">MHQ1005P40NGTD25</a>
40	±3%	100	20	250	1.4	2.1	1.50	1.12	190	<a href="#">MHQ1005P40NHTD25</a>
40	±5%	100	20	250	1.4	2.1	1.50	1.12	190	<a href="#">MHQ1005P40NJTD25</a>
43	±2%	100	22	250	1.4	2.0	1.60	1.06	190	<a href="#">MHQ1005P43NGTD25</a>
43	±3%	100	22	250	1.4	2.0	1.60	1.06	190	<a href="#">MHQ1005P43NHTD25</a>
43	±5%	100	22	250	1.4	2.0	1.60	1.06	190	<a href="#">MHQ1005P43NJTD25</a>
47	±2%	100	22	250	1.3	1.9	1.60	1.09	190	<a href="#">MHQ1005P47NGTD25</a>
47	±3%	100	22	250	1.3	1.9	1.60	1.09	190	<a href="#">MHQ1005P47NHTD25</a>
47	±5%	100	22	250	1.3	1.9	1.60	1.09	190	<a href="#">MHQ1005P47NJTD25</a>
51	±2%	100	22	250	1.3	1.8	1.80	1.17	190	<a href="#">MHQ1005P51NGTD25</a>
51	±3%	100	22	250	1.3	1.8	1.80	1.17	190	<a href="#">MHQ1005P51NHTD25</a>
51	±5%	100	22	250	1.3	1.8	1.80	1.17	190	<a href="#">MHQ1005P51NJTD25</a>
56	±2%	100	22	250	1.2	1.8	1.80	1.22	180	<a href="#">MHQ1005P56NGTD25</a>
56	±3%	100	22	250	1.2	1.8	1.80	1.22	180	<a href="#">MHQ1005P56NHTD25</a>
56	±5%	100	22	250	1.2	1.8	1.80	1.22	180	<a href="#">MHQ1005P56NJTD25</a>
62	±2%	100	22	250	1.1	1.6	1.90	1.36	180	<a href="#">MHQ1005P62NGTD25</a>
62	±3%	100	22	250	1.1	1.6	1.90	1.36	180	<a href="#">MHQ1005P62NHTD25</a>
62	±5%	100	22	250	1.1	1.6	1.90	1.36	180	<a href="#">MHQ1005P62NJTD25</a>
68	±2%	100	22	250	1.1	1.6	2.00	1.43	160	<a href="#">MHQ1005P68NGTD25</a>
68	±3%	100	22	250	1.1	1.6	2.00	1.43	160	<a href="#">MHQ1005P68NHTD25</a>
68	±5%	100	22	250	1.1	1.6	2.00	1.43	160	<a href="#">MHQ1005P68NJTD25</a>
72	±2%	100	22	250	1.1	1.5	2.20	1.62	160	<a href="#">MHQ1005P72NGTD25</a>
72	±3%	100	22	250	1.1	1.5	2.20	1.62	160	<a href="#">MHQ1005P72NHTD25</a>
72	±5%	100	22	250	1.1	1.5	2.20	1.62	160	<a href="#">MHQ1005P72NJTD25</a>
75	±2%	100	22	250	1.1	1.5	2.20	1.53	160	<a href="#">MHQ1005P75NGTD25</a>
75	±3%	100	22	250	1.1	1.5	2.20	1.53	160	<a href="#">MHQ1005P75NHTD25</a>
75	±5%	100	22	250	1.1	1.5	2.20	1.53	160	<a href="#">MHQ1005P75NJTD25</a>
82	±2%	100	22	250	0.9	1.5	2.30	1.61	160	<a href="#">MHQ1005P82NGTD25</a>
82	±3%	100	22	250	0.9	1.5	2.30	1.61	160	<a href="#">MHQ1005P82NHTD25</a>
82	±5%	100	22	250	0.9	1.5	2.30	1.61	160	<a href="#">MHQ1005P82NJTD25</a>
91	±2%	100	23	250	0.9	1.4	2.30	1.78	160	<a href="#">MHQ1005P91NGTD25</a>
91	±3%	100	23	250	0.9	1.4	2.30	1.78	160	<a href="#">MHQ1005P91NHTD25</a>
91	±5%	100	23	250	0.9	1.4	2.30	1.78	160	<a href="#">MHQ1005P91NJTD25</a>
100	±2%	100	23	250	0.9	1.2	2.50	1.80	150	<a href="#">MHQ1005PR10GTD25</a>
100	±3%	100	23	250	0.9	1.2	2.50	1.80	150	<a href="#">MHQ1005PR10HTD25</a>
100	±5%	100	23	250	0.9	1.2	2.50	1.80	150	<a href="#">MHQ1005PR10JTD25</a>

## Measurement equipment

Measurement item	Product No.	Manufacturer
L, Q	4291B+16193A	Keysight Technologies
Self-resonant frequency	8720C	Keysight Technologies
DC resistance	Type-7561	Yokogawa

\* Equivalent measurement equipment may be used.

## MHQ1005P type

## CHARACTERISTICS SPECIFICATION TABLE

L	L measuring frequency		Q	Q measuring frequency		Self-resonant frequency		DC resistance		Rated current	Part No.
	(nH)	Tolerance		(MHz)	min.	(MHz)	(GHz)min.	(GHz)typ.	( $\Omega$ )max.		
110	$\pm 2\%$	100	22	250	0.8	1.2	2.70	1.98	150	<a href="#">MHQ1005PR11GTD25</a>	
110	$\pm 3\%$	100	22	250	0.8	1.2	2.70	1.98	150	<a href="#">MHQ1005PR11HTD25</a>	
110	$\pm 5\%$	100	22	250	0.8	1.2	2.70	1.98	150	<a href="#">MHQ1005PR11JTD25</a>	
120	$\pm 2\%$	100	22	250	0.8	1.2	2.70	1.81	140	<a href="#">MHQ1005PR12GTD25</a>	
120	$\pm 3\%$	100	22	250	0.8	1.2	2.70	1.81	140	<a href="#">MHQ1005PR12HTD25</a>	
120	$\pm 5\%$	100	22	250	0.8	1.2	2.70	1.81	140	<a href="#">MHQ1005PR12JTD25</a>	
130	$\pm 2\%$	100	22	250	0.8	1.1	2.90	2.18	110	<a href="#">MHQ1005PR13GTD25</a>	
130	$\pm 3\%$	100	22	250	0.8	1.1	2.90	2.18	110	<a href="#">MHQ1005PR13HTD25</a>	
130	$\pm 5\%$	100	22	250	0.8	1.1	2.90	2.18	110	<a href="#">MHQ1005PR13JTD25</a>	
150	$\pm 2\%$	100	22	250	0.8	1.0	3.00	2.03	110	<a href="#">MHQ1005PR15GTD25</a>	
150	$\pm 3\%$	100	22	250	0.8	1.0	3.00	2.03	110	<a href="#">MHQ1005PR15HTD25</a>	
150	$\pm 5\%$	100	22	250	0.8	1.0	3.00	2.03	110	<a href="#">MHQ1005PR15JTD25</a>	
160	$\pm 2\%$	100	22	250	0.7	1.0	5.80	4.79	90	<a href="#">MHQ1005PR16GTD25</a>	
160	$\pm 3\%$	100	22	250	0.7	1.0	5.80	4.79	90	<a href="#">MHQ1005PR16HTD25</a>	
160	$\pm 5\%$	100	22	250	0.7	1.0	5.80	4.79	90	<a href="#">MHQ1005PR16JTD25</a>	
180	$\pm 2\%$	100	18	250	0.6	0.9	6.00	4.86	90	<a href="#">MHQ1005PR18GTD25</a>	
180	$\pm 3\%$	100	18	250	0.6	0.9	6.00	4.86	90	<a href="#">MHQ1005PR18HTD25</a>	
180	$\pm 5\%$	100	18	250	0.6	0.9	6.00	4.86	90	<a href="#">MHQ1005PR18JTD25</a>	
200	$\pm 2\%$	100	18	250	0.6	0.9	6.20	5.06	80	<a href="#">MHQ1005PR20GTD25</a>	
200	$\pm 3\%$	100	18	250	0.6	0.9	6.20	5.06	80	<a href="#">MHQ1005PR20HTD25</a>	
200	$\pm 5\%$	100	18	250	0.6	0.9	6.20	5.06	80	<a href="#">MHQ1005PR20JTD25</a>	
220	$\pm 2\%$	100	18	250	0.6	0.8	6.60	5.38	80	<a href="#">MHQ1005PR22GTD25</a>	
220	$\pm 3\%$	100	18	250	0.6	0.8	6.60	5.38	80	<a href="#">MHQ1005PR22HTD25</a>	
220	$\pm 5\%$	100	18	250	0.6	0.8	6.60	5.38	80	<a href="#">MHQ1005PR22JTD25</a>	
240	$\pm 2\%$	100	18	250	0.6	0.9	6.80	5.58	80	<a href="#">MHQ1005PR24GTD25</a>	
240	$\pm 3\%$	100	18	250	0.6	0.9	6.80	5.58	80	<a href="#">MHQ1005PR24HTD25</a>	
240	$\pm 5\%$	100	18	250	0.6	0.9	6.80	5.58	80	<a href="#">MHQ1005PR24JTD25</a>	
270	$\pm 2\%$	100	18	250	0.6	0.9	7.00	5.74	80	<a href="#">MHQ1005PR27GTD25</a>	
270	$\pm 3\%$	100	18	250	0.6	0.9	7.00	5.74	80	<a href="#">MHQ1005PR27HTD25</a>	
270	$\pm 5\%$	100	18	250	0.6	0.9	7.00	5.74	80	<a href="#">MHQ1005PR27JTD25</a>	
300	$\pm 2\%$	50	13	100	0.48	0.7	7.80	6.38	80	<a href="#">MHQ1005PR30GTD25</a>	
300	$\pm 3\%$	50	13	100	0.48	0.7	7.80	6.38	80	<a href="#">MHQ1005PR30HTD25</a>	
300	$\pm 5\%$	50	13	100	0.48	0.7	7.80	6.38	80	<a href="#">MHQ1005PR30JTD25</a>	
330	$\pm 2\%$	50	13	100	0.48	0.67	8.20	6.64	80	<a href="#">MHQ1005PR33GTD25</a>	
330	$\pm 3\%$	50	13	100	0.48	0.67	8.20	6.64	80	<a href="#">MHQ1005PR33HTD25</a>	
330	$\pm 5\%$	50	13	100	0.48	0.67	8.20	6.64	80	<a href="#">MHQ1005PR33JTD25</a>	
360	$\pm 2\%$	50	13	100	0.45	0.65	8.40	6.91	80	<a href="#">MHQ1005PR36GTD25</a>	
360	$\pm 3\%$	50	13	100	0.45	0.65	8.40	6.91	80	<a href="#">MHQ1005PR36HTD25</a>	
360	$\pm 5\%$	50	13	100	0.45	0.65	8.40	6.91	80	<a href="#">MHQ1005PR36JTD25</a>	
390	$\pm 2\%$	50	13	100	0.45	0.64	8.80	7.20	70	<a href="#">MHQ1005PR39GTD25</a>	
390	$\pm 3\%$	50	13	100	0.45	0.64	8.80	7.20	70	<a href="#">MHQ1005PR39HTD25</a>	
390	$\pm 5\%$	50	13	100	0.45	0.64	8.80	7.20	70	<a href="#">MHQ1005PR39JTD25</a>	
430	$\pm 2\%$	50	13	100	0.38	0.56	9.60	7.88	70	<a href="#">MHQ1005PR43GTD25</a>	
430	$\pm 3\%$	50	13	100	0.38	0.56	9.60	7.88	70	<a href="#">MHQ1005PR43HTD25</a>	
430	$\pm 5\%$	50	13	100	0.38	0.56	9.60	7.88	70	<a href="#">MHQ1005PR43JTD25</a>	
470	$\pm 2\%$	50	13	100	0.38	0.59	9.60	7.90	70	<a href="#">MHQ1005PR47GTD25</a>	
470	$\pm 3\%$	50	13	100	0.38	0.59	9.60	7.90	70	<a href="#">MHQ1005PR47HTD25</a>	
470	$\pm 5\%$	50	13	100	0.38	0.59	9.60	7.90	70	<a href="#">MHQ1005PR47JTD25</a>	
510	$\pm 2\%$	50	13	100	0.36	0.52	10.2	8.44	70	<a href="#">MHQ1005PR51GTD25</a>	
510	$\pm 3\%$	50	13	100	0.36	0.52	10.2	8.44	70	<a href="#">MHQ1005PR51HTD25</a>	
510	$\pm 5\%$	50	13	100	0.36	0.52	10.2	8.44	70	<a href="#">MHQ1005PR51JTD25</a>	
560	$\pm 2\%$	50	13	100	0.36	0.51	10.6	8.78	70	<a href="#">MHQ1005PR56GTD25</a>	
560	$\pm 3\%$	50	13	100	0.36	0.51	10.6	8.78	70	<a href="#">MHQ1005PR56HTD25</a>	
560	$\pm 5\%$	50	13	100	0.36	0.51	10.6	8.78	70	<a href="#">MHQ1005PR56JTD25</a>	

## Measurement equipment

Measurement item	Product No.	Manufacturer
L, Q	4291B+16193A	Keysight Technologies
Self-resonant frequency	8720C	Keysight Technologies
DC resistance	Type-7561	Yokogawa

\* Equivalent measurement equipment may be used.

# MHQ1005P type

## L, Q FREQUENCY CHARACTERISTICS TABLE

L(nH)typ.		Q typ.					Part No.				
500MHz	800MHz	1.8GHz	2.0GHz	2.4GHz	500MHz	800MHz	1.8GHz	2.0GHz	2.4GHz		
0.7	0.7	0.7	0.7	0.7	71min.	90min.	139min.	148min.	177min.		MHQ1005P0N7BTD25
0.7	0.7	0.7	0.7	0.7	71min.	90min.	139min.	148min.	177min.		MHQ1005P0N7CTD25
0.8	0.8	0.8	0.8	0.8	71min.	90min.	139min.	148min.	177min.		MHQ1005P0N8BTD25
0.8	0.8	0.8	0.8	0.8	71min.	90min.	139min.	148min.	177min.		MHQ1005P0N8CTD25
0.9	0.9	0.9	0.9	0.9	71min.	90min.	139min.	148min.	177min.		MHQ1005P0N9BTD25
0.9	0.9	0.9	0.9	0.9	71min.	90min.	139min.	148min.	177min.		MHQ1005P0N9CTD25
1.0	1.0	1.0	1.0	1.0	71min.	90min.	139min.	148min.	177min.		MHQ1005P1N0BTD25
1.0	1.0	1.0	1.0	1.0	71min.	90min.	139min.	148min.	177min.		MHQ1005P1N0CTD25
1.0	1.0	1.0	1.0	1.0	71min.	90min.	139min.	148min.	177min.		MHQ1005P1N0STD25
1.1	1.1	1.1	1.1	1.1	71min.	90min.	139min.	148min.	177min.		MHQ1005P1N1BTD25
1.1	1.1	1.1	1.1	1.1	71min.	90min.	139min.	148min.	177min.		MHQ1005P1N1CTD25
1.1	1.1	1.1	1.1	1.1	71min.	90min.	139min.	148min.	177min.		MHQ1005P1N1STD25
1.2	1.2	1.2	1.2	1.2	71min.	90min.	139min.	148min.	177min.		MHQ1005P1N2BTD25
1.2	1.2	1.2	1.2	1.2	71min.	90min.	139min.	148min.	177min.		MHQ1005P1N2CTD25
1.2	1.2	1.2	1.2	1.2	71min.	90min.	139min.	148min.	177min.		MHQ1005P1N2STD25
1.3	1.3	1.3	1.3	1.3	71	90	139	148	178		MHQ1005P1N3BTD25
1.3	1.3	1.3	1.3	1.3	71	90	139	148	178		MHQ1005P1N3CTD25
1.3	1.3	1.3	1.3	1.3	71	90	139	148	178		MHQ1005P1N3STD25
1.4	1.4	1.4	1.4	1.4	88	103	173	178	203		MHQ1005P1N4BTD25
1.4	1.4	1.4	1.4	1.4	88	103	173	178	203		MHQ1005P1N4CTD25
1.4	1.4	1.4	1.4	1.4	88	103	173	178	203		MHQ1005P1N4STD25
1.5	1.5	1.5	1.5	1.5	66	76	124	133	151		MHQ1005P1N5BTD25
1.5	1.5	1.5	1.5	1.5	66	76	124	133	151		MHQ1005P1N5CTD25
1.5	1.5	1.5	1.5	1.5	66	76	124	133	151		MHQ1005P1N5STD25
1.6	1.6	1.6	1.6	1.6	70	88	147	151	171		MHQ1005P1N6BTD25
1.6	1.6	1.6	1.6	1.6	70	88	147	151	171		MHQ1005P1N6CTD25
1.6	1.6	1.6	1.6	1.6	70	88	147	151	171		MHQ1005P1N6STD25
1.7	1.7	1.7	1.7	1.7	63	80	140	151	179		MHQ1005P1N7BTD25
1.7	1.7	1.7	1.7	1.7	63	80	140	151	179		MHQ1005P1N7CTD25
1.7	1.7	1.7	1.7	1.7	63	80	140	151	179		MHQ1005P1N7STD25
1.8	1.8	1.8	1.8	1.8	60	75	125	130	150		MHQ1005P1N8BTD25
1.8	1.8	1.8	1.8	1.8	60	75	125	130	150		MHQ1005P1N8CTD25
1.8	1.8	1.8	1.8	1.8	60	75	125	130	150		MHQ1005P1N8STD25
1.9	1.9	1.9	1.9	1.9	53	68	119	126	150		MHQ1005P1N9BTD25
1.9	1.9	1.9	1.9	1.9	53	68	119	126	150		MHQ1005P1N9CTD25
1.9	1.9	1.9	1.9	1.9	53	68	119	126	150		MHQ1005P1N9STD25
2.0	2.0	2.0	2.0	2.0	60	74	122	129	146		MHQ1005P2N0BTD25
2.0	2.0	2.0	2.0	2.0	60	74	122	129	146		MHQ1005P2N0CTD25
2.0	2.0	2.0	2.0	2.0	60	74	122	129	146		MHQ1005P2N0STD25
2.1	2.1	2.1	2.1	2.1	54	70	121	129	152		MHQ1005P2N1BTD25
2.1	2.1	2.1	2.1	2.1	54	70	121	129	152		MHQ1005P2N1CTD25
2.1	2.1	2.1	2.1	2.1	54	70	121	129	152		MHQ1005P2N1STD25
2.2	2.2	2.2	2.2	2.2	54	68	108	116	131		MHQ1005P2N2BTD25
2.2	2.2	2.2	2.2	2.2	54	68	108	116	131		MHQ1005P2N2CTD25
2.2	2.2	2.2	2.2	2.2	54	68	108	116	131		MHQ1005P2N2STD25

### Measurement equipment

Product No.	Manufacturer
4291B+16193A	Keysight Technologies

\* Equivalent measurement equipment may be used.

## MHQ1005P type

## L, Q FREQUENCY CHARACTERISTICS TABLE

L(nH)typ.					Q typ.					Part No.
500MHz	800MHz	1.8GHz	2.0GHz	2.4GHz	500MHz	800MHz	1.8GHz	2.0GHz	2.4GHz	
2.3	2.3	2.3	2.3	2.3	50	64	101	106	119	<a href="#">MHQ1005P2N3BTD25</a>
2.3	2.3	2.3	2.3	2.3	50	64	101	106	119	<a href="#">MHQ1005P2N3CTD25</a>
2.3	2.3	2.3	2.3	2.3	50	64	101	106	119	<a href="#">MHQ1005P2N3STD25</a>
2.4	2.3	2.4	2.4	2.4	50	64	105	110	125	<a href="#">MHQ1005P2N4BTD25</a>
2.4	2.3	2.4	2.4	2.4	50	64	105	110	125	<a href="#">MHQ1005P2N4CTD25</a>
2.4	2.3	2.4	2.4	2.4	50	64	105	110	125	<a href="#">MHQ1005P2N4STD25</a>
2.5	2.5	2.5	2.5	2.6	50	65	110	114	135	<a href="#">MHQ1005P2N5BTD25</a>
2.5	2.5	2.5	2.5	2.6	50	65	110	114	135	<a href="#">MHQ1005P2N5CTD25</a>
2.5	2.5	2.5	2.5	2.6	50	65	110	114	135	<a href="#">MHQ1005P2N5STD25</a>
2.5	2.5	2.6	2.6	2.7	48	65	103	107	122	<a href="#">MHQ1005P2N6BTD25</a>
2.5	2.5	2.6	2.6	2.7	48	65	103	107	122	<a href="#">MHQ1005P2N6CTD25</a>
2.5	2.5	2.6	2.6	2.7	48	65	103	107	122	<a href="#">MHQ1005P2N6STD25</a>
2.6	2.6	2.7	2.7	2.8	49	61	98	102	116	<a href="#">MHQ1005P2N7BTD25</a>
2.6	2.6	2.7	2.7	2.8	49	61	98	102	116	<a href="#">MHQ1005P2N7CTD25</a>
2.6	2.6	2.7	2.7	2.8	49	61	98	102	116	<a href="#">MHQ1005P2N7STD25</a>
2.7	2.7	2.8	2.8	2.9	46	58	100	105	123	<a href="#">MHQ1005P2N8BTD25</a>
2.7	2.7	2.8	2.8	2.9	46	58	100	105	123	<a href="#">MHQ1005P2N8CTD25</a>
2.7	2.7	2.8	2.8	2.9	46	58	100	105	123	<a href="#">MHQ1005P2N8STD25</a>
2.8	2.8	2.9	2.9	3.0	45	58	99	103	120	<a href="#">MHQ1005P2N9BTD25</a>
2.8	2.8	2.9	2.9	3.0	45	58	99	103	120	<a href="#">MHQ1005P2N9CTD25</a>
2.8	2.8	2.9	2.9	3.0	45	58	99	103	120	<a href="#">MHQ1005P2N9STD25</a>
2.9	2.9	3.0	3.0	3.1	49	62	102	106	120	<a href="#">MHQ1005P3N0BTD25</a>
2.9	2.9	3.0	3.0	3.1	49	62	102	106	120	<a href="#">MHQ1005P3N0CTD25</a>
2.9	2.9	3.0	3.0	3.1	49	62	102	106	120	<a href="#">MHQ1005P3N0STD25</a>
3.0	3.0	3.1	3.1	3.2	45	58	99	104	121	<a href="#">MHQ1005P3N1BTD25</a>
3.0	3.0	3.1	3.1	3.2	45	58	99	104	121	<a href="#">MHQ1005P3N1CTD25</a>
3.0	3.0	3.1	3.1	3.2	45	58	99	104	121	<a href="#">MHQ1005P3N1STD25</a>
3.1	3.1	3.2	3.2	3.3	45	58	99	106	121	<a href="#">MHQ1005P3N2BTD25</a>
3.1	3.1	3.2	3.2	3.3	45	58	99	106	121	<a href="#">MHQ1005P3N2CTD25</a>
3.1	3.1	3.2	3.2	3.3	45	58	99	106	121	<a href="#">MHQ1005P3N2STD25</a>
3.2	3.2	3.3	3.4	3.4	48	60	96	101	115	<a href="#">MHQ1005P3N3BTD25</a>
3.2	3.2	3.3	3.4	3.4	48	60	96	101	115	<a href="#">MHQ1005P3N3CTD25</a>
3.2	3.2	3.3	3.4	3.4	48	60	96	101	115	<a href="#">MHQ1005P3N3STD25</a>
3.3	3.3	3.4	3.5	3.5	45	57	96	102	118	<a href="#">MHQ1005P3N4BTD25</a>
3.3	3.3	3.4	3.5	3.5	45	57	96	102	118	<a href="#">MHQ1005P3N4CTD25</a>
3.3	3.3	3.4	3.5	3.5	45	57	96	102	118	<a href="#">MHQ1005P3N4STD25</a>
3.4	3.4	3.5	3.6	3.6	43	57	89	92	104	<a href="#">MHQ1005P3N5BTD25</a>
3.4	3.4	3.5	3.6	3.6	43	57	89	92	104	<a href="#">MHQ1005P3N5CTD25</a>
3.4	3.4	3.5	3.6	3.6	43	57	89	92	104	<a href="#">MHQ1005P3N5STD25</a>
3.5	3.5	3.6	3.6	3.7	43	56	91	96	110	<a href="#">MHQ1005P3N6BTD25</a>
3.5	3.5	3.6	3.6	3.7	43	56	91	96	110	<a href="#">MHQ1005P3N6CTD25</a>
3.5	3.5	3.6	3.6	3.7	43	56	91	96	110	<a href="#">MHQ1005P3N6STD25</a>
3.6	3.6	3.7	3.8	3.9	46	57	96	100	114	<a href="#">MHQ1005P3N7BTD25</a>
3.6	3.6	3.7	3.8	3.9	46	57	96	100	114	<a href="#">MHQ1005P3N7CTD25</a>
3.6	3.6	3.7	3.8	3.9	46	57	96	100	114	<a href="#">MHQ1005P3N7STD25</a>

## Measurement equipment

Product No.	Manufacturer
4291B+16193A	Keysight Technologies

\* Equivalent measurement equipment may be used.

# MHQ1005P type

## L, Q FREQUENCY CHARACTERISTICS TABLE

L(nH)typ.					Q typ.					Part No.
500MHz	800MHz	1.8GHz	2.0GHz	2.4GHz	500MHz	800MHz	1.8GHz	2.0GHz	2.4GHz	
3.7	3.7	3.9	3.9	4.0	45	59	93	96	109	<a href="#">MHQ1005P3N8BTD25</a>
3.7	3.7	3.9	3.9	4.0	45	59	93	96	109	<a href="#">MHQ1005P3N8CTD25</a>
3.7	3.7	3.9	3.9	4.0	45	59	93	96	109	<a href="#">MHQ1005P3N8STD25</a>
3.8	3.8	4.0	4.0	4.1	48	61	96	99	111	<a href="#">MHQ1005P3N9BTD25</a>
3.8	3.8	4.0	4.0	4.1	48	61	96	99	111	<a href="#">MHQ1005P3N9CTD25</a>
3.8	3.8	4.0	4.0	4.1	48	61	96	99	111	<a href="#">MHQ1005P3N9STD25</a>
4.0	4.0	4.2	4.3	4.4	46	59	98	101	115	<a href="#">MHQ1005P4N1BTD25</a>
4.0	4.0	4.2	4.3	4.4	46	59	98	101	115	<a href="#">MHQ1005P4N1CTD25</a>
4.0	4.0	4.2	4.3	4.4	46	59	98	101	115	<a href="#">MHQ1005P4N1STD25</a>
4.2	4.2	4.4	4.5	4.6	47	60	95	97	107	<a href="#">MHQ1005P4N3BTD25</a>
4.2	4.2	4.4	4.5	4.6	47	60	95	97	107	<a href="#">MHQ1005P4N3CTD25</a>
4.2	4.2	4.4	4.5	4.6	47	60	95	97	107	<a href="#">MHQ1005P4N3STD25</a>
4.6	4.6	4.8	4.9	5.0	44	56	89	93	102	<a href="#">MHQ1005P4N7BTD25</a>
4.6	4.6	4.8	4.9	5.0	44	56	89	93	102	<a href="#">MHQ1005P4N7CTD25</a>
4.6	4.6	4.8	4.9	5.0	44	56	89	93	102	<a href="#">MHQ1005P4N7STD25</a>
5.0	5.0	5.2	5.3	5.5	43	55	86	90	99	<a href="#">MHQ1005P5N1BTD25</a>
5.0	5.0	5.2	5.3	5.5	43	55	86	90	99	<a href="#">MHQ1005P5N1CTD25</a>
5.0	5.0	5.2	5.3	5.5	43	55	86	90	99	<a href="#">MHQ1005P5N1STD25</a>
5.5	5.5	5.8	5.9	6.1	43	54	84	87	94	<a href="#">MHQ1005P5N6BTD25</a>
5.5	5.5	5.8	5.9	6.1	43	54	84	87	94	<a href="#">MHQ1005P5N6CTD25</a>
5.5	5.5	5.8	5.9	6.1	43	54	84	87	94	<a href="#">MHQ1005P5N6STD25</a>
5.7	5.7	6.1	6.2	6.5	43	57	84	87	94	<a href="#">MHQ1005P5N8BTD25</a>
5.7	5.7	6.1	6.2	6.5	43	57	84	87	94	<a href="#">MHQ1005P5N8CTD25</a>
5.7	5.7	6.1	6.2	6.5	43	57	84	87	94	<a href="#">MHQ1005P5N8STD25</a>
6.1	6.1	6.6	6.7	7.0	45	57	85	87	93	<a href="#">MHQ1005P6N2BTD25</a>
6.1	6.1	6.6	6.7	7.0	45	57	85	87	93	<a href="#">MHQ1005P6N2CTD25</a>
6.1	6.1	6.6	6.7	7.0	45	57	85	87	93	<a href="#">MHQ1005P6N2STD25</a>
6.7	6.7	7.3	7.5	7.9	45	58	85	88	92	<a href="#">MHQ1005P6N8GTD25</a>
6.7	6.7	7.3	7.5	7.9	45	58	85	88	92	<a href="#">MHQ1005P6N8HTD25</a>
6.7	6.7	7.3	7.5	7.9	45	58	85	88	92	<a href="#">MHQ1005P6N8JTD25</a>
7.1	7.2	7.7	7.9	8.3	40	52	77	80	84	<a href="#">MHQ1005P7N3GTD25</a>
7.1	7.2	7.7	7.9	8.3	40	52	77	80	84	<a href="#">MHQ1005P7N3HTD25</a>
7.1	7.2	7.7	7.9	8.3	40	52	77	80	84	<a href="#">MHQ1005P7N3JTD25</a>
7.3	7.4	7.9	8.1	8.5	42	54	80	83	88	<a href="#">MHQ1005P7N5GTD25</a>
7.3	7.4	7.9	8.1	8.5	42	54	80	83	88	<a href="#">MHQ1005P7N5HTD25</a>
7.3	7.4	7.9	8.1	8.5	42	54	80	83	88	<a href="#">MHQ1005P7N5JTD25</a>
8.0	8.1	9.0	9.4	10.0	44	56	80	81	82	<a href="#">MHQ1005P8N2GTD25</a>
8.0	8.1	9.0	9.4	10.0	44	56	80	81	82	<a href="#">MHQ1005P8N2HTD25</a>
8.0	8.1	9.0	9.4	10.0	44	56	80	81	82	<a href="#">MHQ1005P8N2JTD25</a>
8.5	8.6	9.6	10.0	10.8	42	52	78	79	80	<a href="#">MHQ1005P8N7GTD25</a>
8.5	8.6	9.6	10.0	10.8	42	52	78	79	80	<a href="#">MHQ1005P8N7HTD25</a>
8.5	8.6	9.6	10.0	10.8	42	52	78	79	80	<a href="#">MHQ1005P8N7JTD25</a>
8.9	9.1	10.1	10.5	11.3	43	54	77	78	79	<a href="#">MHQ1005P9N1GTD25</a>
8.9	9.1	10.1	10.5	11.3	43	54	77	78	79	<a href="#">MHQ1005P9N1HTD25</a>
8.9	9.1	10.1	10.5	11.3	43	54	77	78	79	<a href="#">MHQ1005P9N1JTD25</a>

### Measurement equipment

Product No.	Manufacturer
4291B+16193A	Keysight Technologies

\* Equivalent measurement equipment may be used.

# MHQ1005P type

## L, Q FREQUENCY CHARACTERISTICS TABLE

L(nH)typ.		Q typ.					Part No.				
500MHz	800MHz	1.8GHz	2.0GHz	2.4GHz	500MHz	800MHz	1.8GHz	2.0GHz	2.4GHz		
9.3	9.4	10.6	11.1	12.0	42	54	75	75	75		MHQ1005P9N5GTD25
9.3	9.4	10.6	11.1	12.0	42	54	75	75	75		MHQ1005P9N5HTD25
9.3	9.4	10.6	11.1	12.0	42	54	75	75	75		MHQ1005P9N5JTD25
10	10	11	12	13	42	54	73	74	74		MHQ1005P10NGTD25
10	10	11	12	13	42	54	73	74	74		MHQ1005P10NHTD25
10	10	11	12	13	42	54	73	74	74		MHQ1005P10NJTD25
11	11	13	13	14	41	52	70	70	69		MHQ1005P11NGTD25
11	11	13	13	14	41	52	70	70	69		MHQ1005P11NHTD25
11	11	13	13	14	41	52	70	70	69		MHQ1005P11NJTD25
12	12	14	15	17	40	50	66	65	61		MHQ1005P12NGTD25
12	12	14	15	17	40	50	66	65	61		MHQ1005P12NHTD25
12	12	14	15	17	40	50	66	65	61		MHQ1005P12NJTD25
13	13	16	17	19	42	53	66	66	61		MHQ1005P13NGTD25
13	13	16	17	19	42	53	66	66	61		MHQ1005P13NHTD25
13	13	16	17	19	42	53	66	66	61		MHQ1005P13NJTD25
15	15	19	21	26	39	48	57	54	46		MHQ1005P15NGTD25
15	15	19	21	26	39	48	57	54	46		MHQ1005P15NHTD25
15	15	19	21	26	39	48	57	54	46		MHQ1005P15NJTD25
16	16	20	21	25	34	43	54	52	49		MHQ1005P16NGTD25
16	16	20	21	25	34	43	54	52	49		MHQ1005P16NHTD25
16	16	20	21	25	34	43	54	52	49		MHQ1005P16NJTD25
18	18	23	25	30	39	49	60	57	51		MHQ1005P18NGTD25
18	18	23	25	30	39	49	60	57	51		MHQ1005P18NHTD25
18	18	23	25	30	39	49	60	57	51		MHQ1005P18NJTD25
19	19	25	28	35	39	49	59	55	46		MHQ1005P19NGTD25
19	19	25	28	35	39	49	59	55	46		MHQ1005P19NHTD25
19	19	25	28	35	39	49	59	55	46		MHQ1005P19NJTD25
20	20	26	29	35	38	47	56	53	43		MHQ1005P20NGTD25
20	20	26	29	35	38	47	56	53	43		MHQ1005P20NHTD25
20	20	26	29	35	38	47	56	53	43		MHQ1005P20NJTD25
22	23	31	35	—	34	42	47	43	—		MHQ1005P22NGTD25
22	23	31	35	—	34	42	47	43	—		MHQ1005P22NHTD25
22	23	31	35	—	34	42	47	43	—		MHQ1005P22NJTD25
23	24	33	37	—	41	50	53	48	—		MHQ1005P23NGTD25
23	24	33	37	—	41	50	53	48	—		MHQ1005P23NHTD25
23	24	33	37	—	41	50	53	48	—		MHQ1005P23NJTD25
24	25	35	41	—	39	49	50	44	—		MHQ1005P24NGTD25
24	25	35	41	—	39	49	50	44	—		MHQ1005P24NHTD25
24	25	35	41	—	39	49	50	44	—		MHQ1005P24NJTD25
27	28	42	50	—	37	45	44	37	—		MHQ1005P27NGTD25
27	28	42	50	—	37	45	44	37	—		MHQ1005P27NHTD25
27	28	42	50	—	37	45	44	37	—		MHQ1005P27NJTD25
30	32	55	—	—	33	40	34	—	—		MHQ1005P30NGTD25
30	32	55	—	—	33	40	34	—	—		MHQ1005P30NHTD25
30	32	55	—	—	33	40	34	—	—		MHQ1005P30NJTD25

### Measurement equipment

Product No.	Manufacturer
4291B+16193A	Keysight Technologies

\* Equivalent measurement equipment may be used.

# MHQ1005P type

## L, Q FREQUENCY CHARACTERISTICS TABLE

L(nH)typ.					Q typ.					Part No.
500MHz	800MHz	1.8GHz	2.0GHz	2.4GHz	500MHz	800MHz	1.8GHz	2.0GHz	2.4GHz	
33	35	59	—	—	37	44	37	—	—	MHQ1005P33NGTD25
33	35	59	—	—	37	44	37	—	—	MHQ1005P33NHTD25
33	35	59	—	—	37	44	37	—	—	MHQ1005P33NJTD25
36	39	69	—	—	35	42	32	—	—	MHQ1005P36NGTD25
36	39	69	—	—	35	42	32	—	—	MHQ1005P36NHTD25
36	39	69	—	—	35	42	32	—	—	MHQ1005P36NJTD25
40	43	—	—	—	33	38	—	—	—	MHQ1005P39NGTD25
40	43	—	—	—	33	38	—	—	—	MHQ1005P39NHTD25
40	43	—	—	—	33	38	—	—	—	MHQ1005P39NJTD25
41	44	—	—	—	36	42	—	—	—	MHQ1005P40NGTD25
41	44	—	—	—	36	42	—	—	—	MHQ1005P40NHTD25
41	44	—	—	—	36	42	—	—	—	MHQ1005P40NJTD25
44	47	—	—	—	36	42	—	—	—	MHQ1005P43NGTD25
44	47	—	—	—	36	42	—	—	—	MHQ1005P43NHTD25
44	47	—	—	—	36	42	—	—	—	MHQ1005P43NJTD25
48	53	—	—	—	34	38	—	—	—	MHQ1005P47NGTD25
48	53	—	—	—	34	38	—	—	—	MHQ1005P47NHTD25
48	53	—	—	—	34	38	—	—	—	MHQ1005P47NJTD25
52	58	—	—	—	35	40	—	—	—	MHQ1005P51NGTD25
52	58	—	—	—	35	40	—	—	—	MHQ1005P51NHTD25
52	58	—	—	—	35	40	—	—	—	MHQ1005P51NJTD25
58	65	—	—	—	34	37	—	—	—	MHQ1005P56NGTD25
58	65	—	—	—	34	37	—	—	—	MHQ1005P56NHTD25
58	65	—	—	—	34	37	—	—	—	MHQ1005P56NJTD25
65	74	—	—	—	34	37	—	—	—	MHQ1005P62NGTD25
65	74	—	—	—	34	37	—	—	—	MHQ1005P62NHTD25
65	74	—	—	—	34	37	—	—	—	MHQ1005P62NJTD25
72	82	—	—	—	35	37	—	—	—	MHQ1005P68NGTD25
72	82	—	—	—	35	37	—	—	—	MHQ1005P68NHTD25
72	82	—	—	—	35	37	—	—	—	MHQ1005P68NJTD25
77	90	—	—	—	34	36	—	—	—	MHQ1005P72NGTD25
77	90	—	—	—	34	36	—	—	—	MHQ1005P72NHTD25
77	90	—	—	—	34	36	—	—	—	MHQ1005P72NJTD25
80	93	—	—	—	35	37	—	—	—	MHQ1005P75NGTD25
80	93	—	—	—	35	37	—	—	—	MHQ1005P75NHTD25
80	93	—	—	—	35	37	—	—	—	MHQ1005P75NJTD25
88	107	—	—	—	35	35	—	—	—	MHQ1005P82NGTD25
88	107	—	—	—	35	35	—	—	—	MHQ1005P82NHTD25
88	107	—	—	—	35	35	—	—	—	MHQ1005P82NJTD25
98	121	—	—	—	33	32	—	—	—	MHQ1005P91NGTD25
98	121	—	—	—	33	32	—	—	—	MHQ1005P91NHTD25
98	121	—	—	—	33	32	—	—	—	MHQ1005P91NJTD25
111	143	—	—	—	33	33	—	—	—	MHQ1005PR10GTD25
111	143	—	—	—	33	33	—	—	—	MHQ1005PR10HTD25
111	143	—	—	—	33	33	—	—	—	MHQ1005PR10JTD25

### Measurement equipment

Product No.	Manufacturer
4291B+16193A	Keysight Technologies

\* Equivalent measurement equipment may be used.

# MHQ1005P type

## L, Q FREQUENCY CHARACTERISTICS TABLE

L(nH)typ.					Q typ.					Part No.
500MHz	800MHz	1.8GHz	2.0GHz	2.4GHz	500MHz	800MHz	1.8GHz	2.0GHz	2.4GHz	
124	169	—	—	—	31	28	—	—	—	MHQ1005PR11GTD25
124	169	—	—	—	31	28	—	—	—	MHQ1005PR11HTD25
124	169	—	—	—	31	28	—	—	—	MHQ1005PR11JTD25
138	197	—	—	—	30	26	—	—	—	MHQ1005PR12GTD25
138	197	—	—	—	30	26	—	—	—	MHQ1005PR12HTD25
138	197	—	—	—	30	26	—	—	—	MHQ1005PR12JTD25
150	220	—	—	—	31	23	—	—	—	MHQ1005PR13GTD25
150	220	—	—	—	31	23	—	—	—	MHQ1005PR13HTD25
150	220	—	—	—	31	23	—	—	—	MHQ1005PR13JTD25
177	276	—	—	—	30	22	—	—	—	MHQ1005PR15GTD25
177	276	—	—	—	30	22	—	—	—	MHQ1005PR15HTD25
177	276	—	—	—	30	22	—	—	—	MHQ1005PR15JTD25
194	—	—	—	—	28	—	—	—	—	MHQ1005PR16GTD25
194	—	—	—	—	28	—	—	—	—	MHQ1005PR16HTD25
194	—	—	—	—	28	—	—	—	—	MHQ1005PR16JTD25
223	—	—	—	—	28	—	—	—	—	MHQ1005PR18GTD25
223	—	—	—	—	28	—	—	—	—	MHQ1005PR18HTD25
223	—	—	—	—	28	—	—	—	—	MHQ1005PR18JTD25
254	—	—	—	—	27	—	—	—	—	MHQ1005PR20GTD25
254	—	—	—	—	27	—	—	—	—	MHQ1005PR20HTD25
254	—	—	—	—	27	—	—	—	—	MHQ1005PR20JTD25
285	—	—	—	—	27	—	—	—	—	MHQ1005PR22GTD25
285	—	—	—	—	27	—	—	—	—	MHQ1005PR22HTD25
285	—	—	—	—	27	—	—	—	—	MHQ1005PR22JTD25
317	—	—	—	—	26	—	—	—	—	MHQ1005PR24GTD25
317	—	—	—	—	26	—	—	—	—	MHQ1005PR24HTD25
317	—	—	—	—	26	—	—	—	—	MHQ1005PR24JTD25
375	—	—	—	—	25	—	—	—	—	MHQ1005PR27GTD25
375	—	—	—	—	25	—	—	—	—	MHQ1005PR27HTD25
375	—	—	—	—	25	—	—	—	—	MHQ1005PR27JTD25
448	—	—	—	—	23	—	—	—	—	MHQ1005PR30GTD25
448	—	—	—	—	23	—	—	—	—	MHQ1005PR30HTD25
448	—	—	—	—	23	—	—	—	—	MHQ1005PR30JTD25
518	—	—	—	—	22	—	—	—	—	MHQ1005PR33GTD25
518	—	—	—	—	22	—	—	—	—	MHQ1005PR33HTD25
518	—	—	—	—	22	—	—	—	—	MHQ1005PR33JTD25
599	—	—	—	—	21	—	—	—	—	MHQ1005PR36GTD25
599	—	—	—	—	21	—	—	—	—	MHQ1005PR36HTD25
599	—	—	—	—	21	—	—	—	—	MHQ1005PR36JTD25
693	—	—	—	—	19	—	—	—	—	MHQ1005PR39GTD25
693	—	—	—	—	19	—	—	—	—	MHQ1005PR39HTD25
693	—	—	—	—	19	—	—	—	—	MHQ1005PR39JTD25
—	—	—	—	—	—	—	—	—	—	MHQ1005PR43GTD25
—	—	—	—	—	—	—	—	—	—	MHQ1005PR43HTD25
—	—	—	—	—	—	—	—	—	—	MHQ1005PR43JTD25
—	—	—	—	—	—	—	—	—	—	MHQ1005PR47GTD25
—	—	—	—	—	—	—	—	—	—	MHQ1005PR47HTD25
—	—	—	—	—	—	—	—	—	—	MHQ1005PR47JTD25
—	—	—	—	—	—	—	—	—	—	MHQ1005PR51GTD25
—	—	—	—	—	—	—	—	—	—	MHQ1005PR51HTD25
—	—	—	—	—	—	—	—	—	—	MHQ1005PR51JTD25
—	—	—	—	—	—	—	—	—	—	MHQ1005PR56GTD25
—	—	—	—	—	—	—	—	—	—	MHQ1005PR56HTD25
—	—	—	—	—	—	—	—	—	—	MHQ1005PR56JTD25

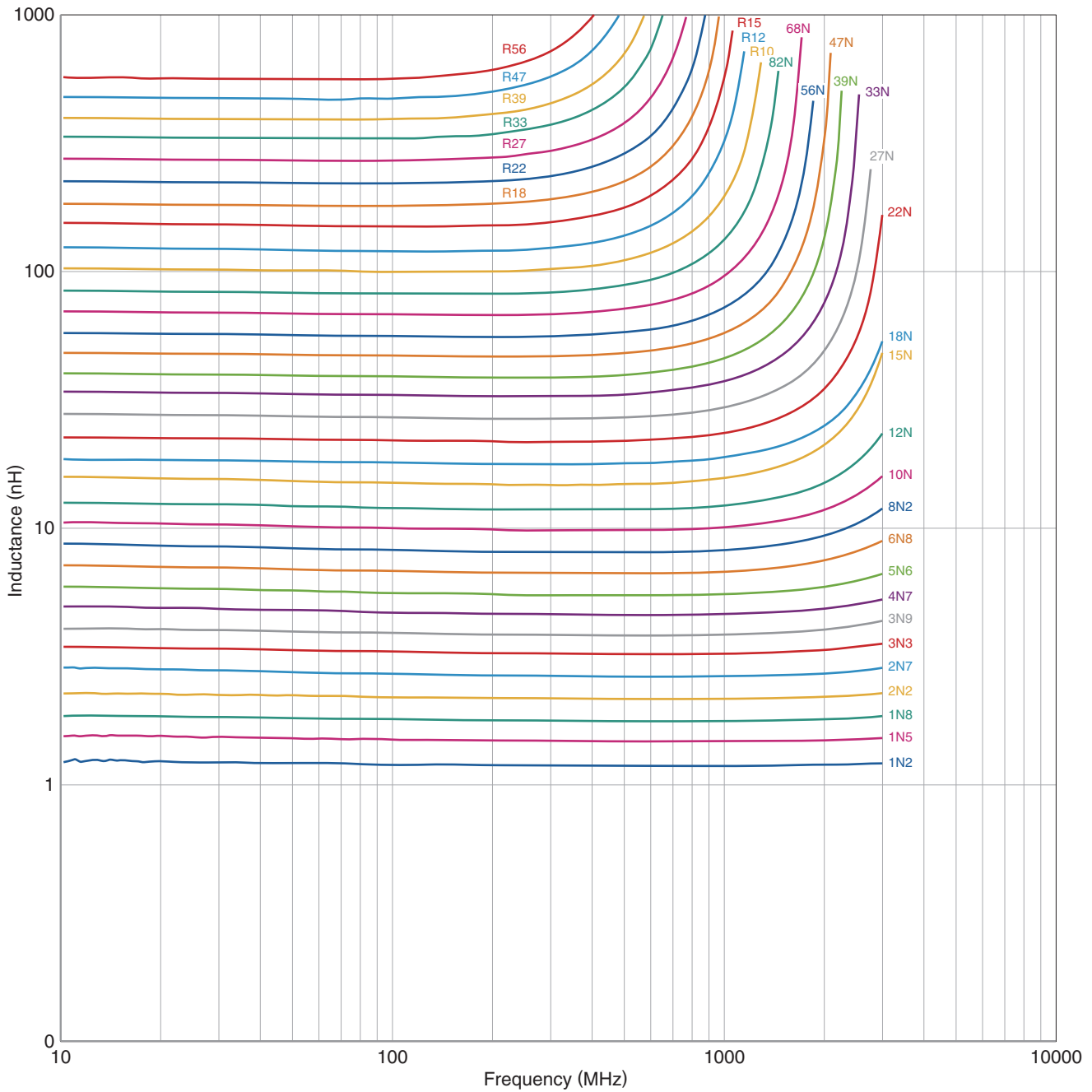
Measurement equipment

Product No.	Manufacturer
4291B+16193A	Keysight Technologies

\* Equivalent measurement equipment may be used.

# MHQ1005P type

## ■ L FREQUENCY CHARACTERISTICS (EXAMPLE)



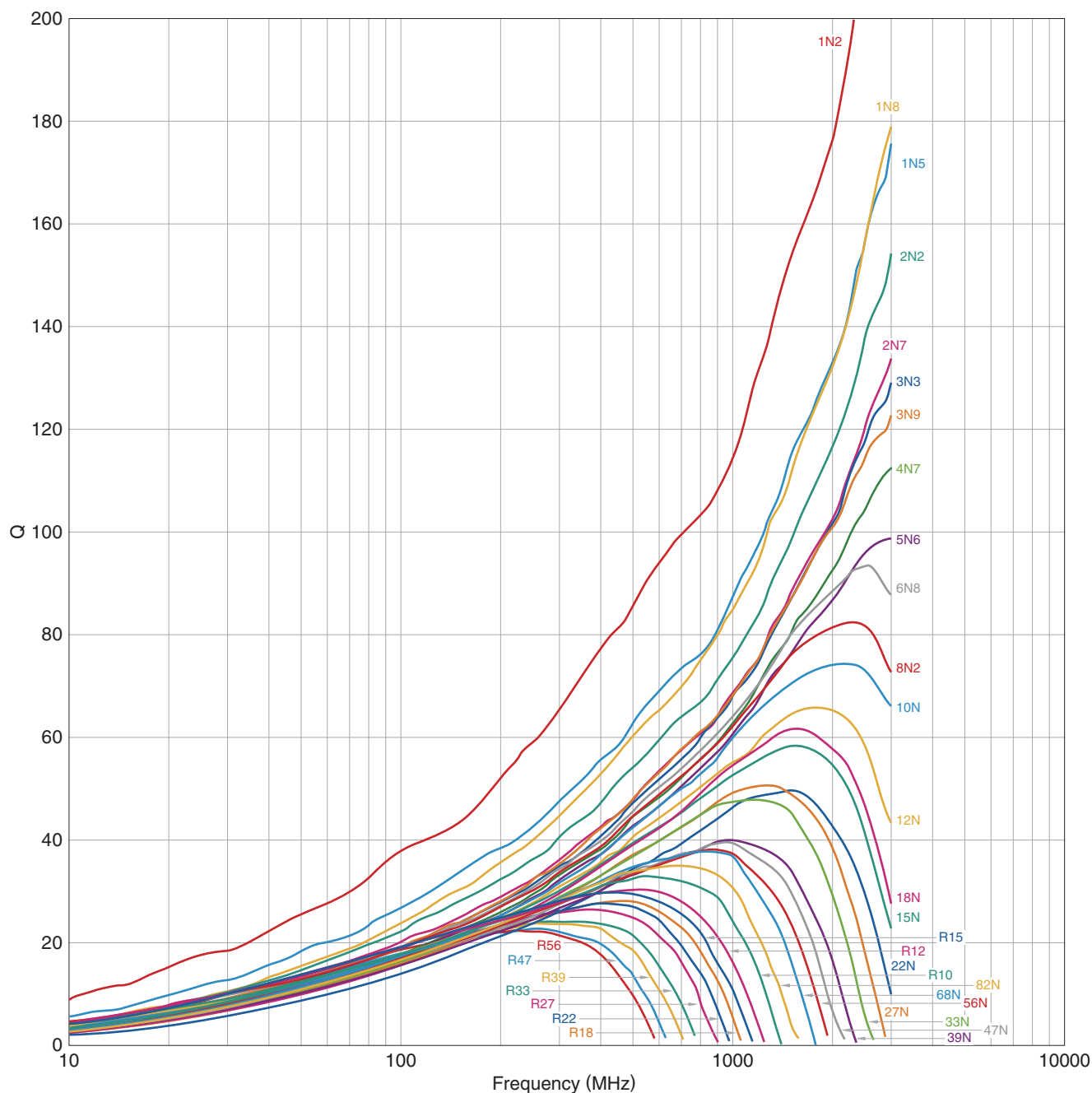
Measurement equipment

Product No.	Manufacturer
E4991+16193A	Keysight Technologies

\* Equivalent measurement equipment may be used.

# MHQ1005P type

## Q FREQUENCY CHARACTERISTICS (EXAMPLE)



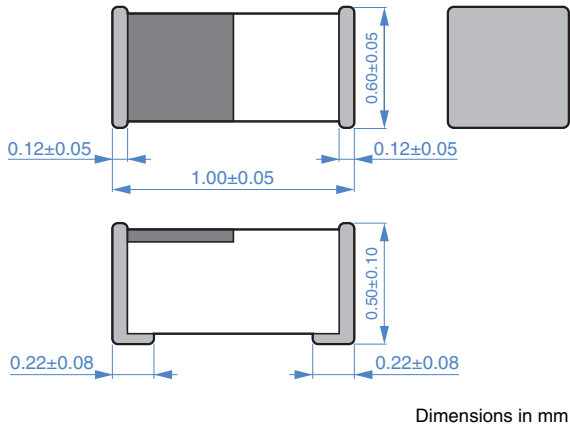
Measurement equipment

Product No.	Manufacturer
E4991+16193A	Keysight Technologies

\* Equivalent measurement equipment may be used.

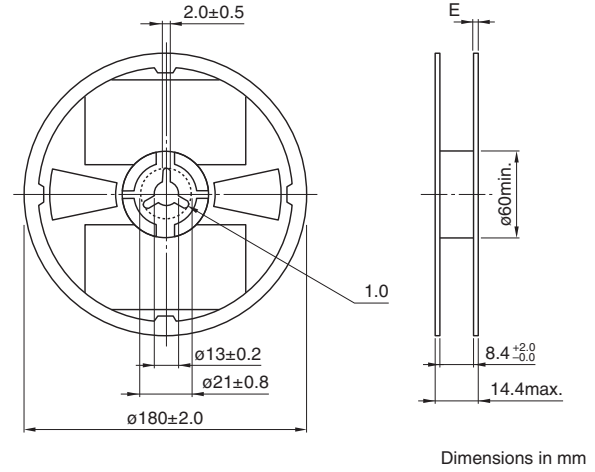
# MHQ1005P type

## SHAPE & DIMENSIONS

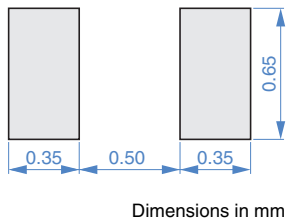


## PACKAGING STYLE

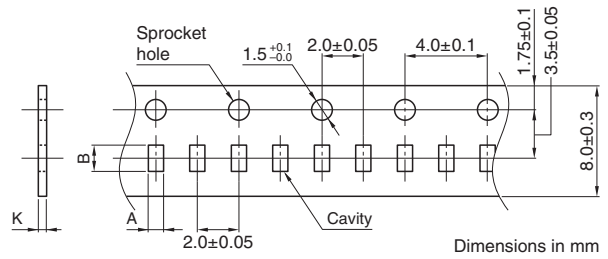
### REEL DIMENSIONS



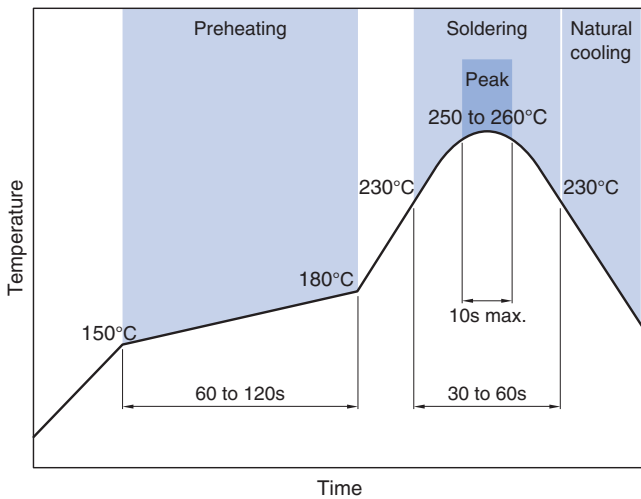
## RECOMMENDED LAND PATTERN



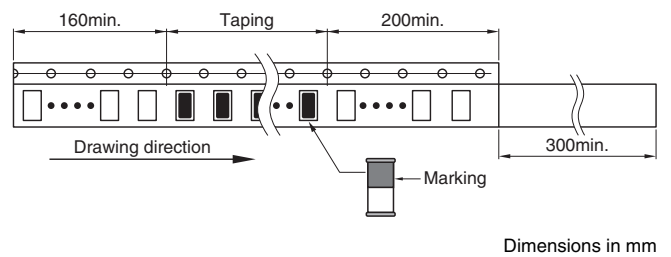
### TAPE DIMENSIONS



## RECOMMENDED REFLOW PROFILE



Type	A	B	K
MHQ1005P	$0.75 \pm 0.10$	$1.15 \pm 0.10$	$0.8 \text{ max.}$



### PACKAGE QUANTITY

Package quantity	10000 pcs/reel
------------------	----------------

## TEMPERATURE RANGE, INDIVIDUAL WEIGHT

Operating temperature range	Storage temperature range*	Individual weight
$-55$ to $+125^\circ\text{C}$	$-55$ to $+125^\circ\text{C}$	1 mg

\* The storage temperature range is for after the assembly.

## - REMINDERS FOR USING THESE PRODUCTS -

Before using these products, be sure to request the delivery specifications.

### REMINDERS

#### 1. Introduction

This product is a multilayer inductor designed for high-frequency applications, with a lineup tailored to various purposes. By following proper handling and usage conditions, you can maximize product performance and prevent failures or safety issues.

#### 2. General Precautions

- Do not use the product beyond its rated current. Overcurrent may cause degradation of performance or damage.
- Use the product within the operating temperature range specified in the product datasheet.  
Failure to do so may lead to performance degradation or solder deterioration.
- Do not use or store in locations where there are conditions such as gas corrosion (salt, acid, alkali, etc.).
- Please use a wrist strap to discharge static electricity from the human body to the ground.
- Do not expose the products to magnets or magnetic fields.
- Do not use the product beyond the specifications described in the delivery specifications or product datasheet.

#### 3. Precautions for Mounting and Implementation

- Applying excessive external impact to the product may cause cracks or chipping.
- When embedding a printed circuit board where a chip is mounted to a set, be sure that residual stress is not given to the chip due to the overall distortion of the printed circuit board and partial distortion such as at screw tightening portions.
- For products with direction marks, the orientation of the mark may affect the set characteristics. Please verify the performance of the set in advance.
- Use the reflow soldering conditions specified in the product datasheet.
- Be sure to preheat the product before soldering.  
The temperature difference between the solder and the product during preheating should be within 150°C.
- Soldering corrections after mounting should be within the range of the conditions determined in the specifications.  
If overheated, a short circuit, performance deterioration, or lifespan shortening may occur.  
Some products do not support rework by manual soldering.
- Land pattern design affects mountability. If you change it from the recommended design, please verify it before use.
- Thermal and mechanical stress from the board can be affected by the type and amount of solder, potentially degrading performance.  
Solder Type: Use lead-free solder SAC305.  
Solder Amount: Solder with an appropriate fillet shape to avoid excessive solder.
- The original characteristics may not be achieved due to the influence of other components mounted around the product.  
In such cases, please consider changing the layout or combining inductors with different winding structures.
- The storage period is within 12 months. Be sure to follow the storage conditions (temperature: 5 to 40°C, humidity: 10 to 75% RH or less).  
If the storage period elapses, the soldering of the terminal electrodes may deteriorate.
- Avoid drops or strong impacts during transport, and avoid high temperatures caused by direct sunlight. Excessive heat can degrade the quality of packaging materials such as boxes, reels, and tapes.

#### 4. Disclaimer

These precautions are based on general usage conditions.

For detailed specifications and conditions for each product, please refer to the product datasheet and delivery specifications.

Our company assumes no responsibility for any direct or indirect damage resulting from use based on these precautions.

The contents are subject to change without notice due to improvements or other reasons.

## - SAFETY REMINDERS -

Please pay sufficient attention to the warnings for safe designing when using this products

### REMINDERS

The products listed on this catalog are intended for use in general electronic equipment (AV equipment, telecommunications equipment, home appliances, amusement equipment, computer equipment, personal equipment, office equipment, measurement equipment, industrial robots) under a normal operation and use condition.

The products are not designed or warranted to meet the requirements of the applications listed below, whose performance and/or quality require a more stringent level of safety or reliability, or whose failure, malfunction or trouble could cause serious damage to society, person or property.

If you intend to use the products in the applications listed below or if you have special requirements exceeding the range or conditions set forth in the each catalog, please contact us.

- |   |  |
|---|--|
| (1) Aerospace/aviation equipment                            | (8) Public information-processing equipment                                  |
| (2) Transportation equipment (electric trains, ships, etc.) | (9) Military equipment   |
| (3) Medical equipment                                       | (10) Electric heating apparatus, burning equipment                           |
| (4) Power-generation control equipment                      | (11) Disaster prevention/crime prevention equipment                          |
| (5) Atomic energy-related equipment                         | (12) Safety equipment  |
| (6) Seabed equipment  | (13) Other applications that are not considered general-purpose applications |
| (7) Transportation control equipment                        |  |

When designing your equipment even for general-purpose applications, you are kindly requested to take into consideration securing protection circuit/device or providing backup circuits in your equipment.