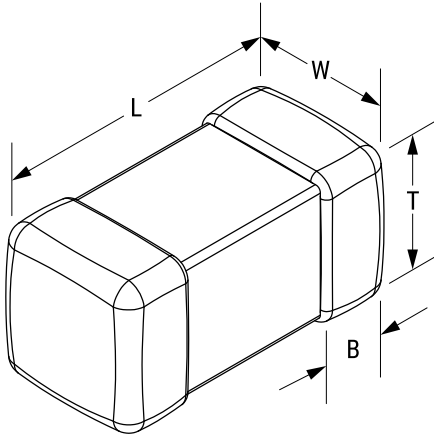


## LO603C3N3SRMST

Aliases (LO603C3N3SRMST)

Obsolete

KEMET, L-RMS, Ceramic, +/-0.3 nH, 3,300 pH



Click [here](#) for the 3D model.

### General Information

Series	L-RMS
Style	SMD Multi-Layer
Core	Ceramic
Description	Surface Mount Inductor
RoHS	Yes

### Specifications

Inductance	0.0033 uH (100 MHz)
Inductance Tolerance	+/-0.3 nH
Inductance	3,300 pH
Rated Current	300 mAmps (MAX)
Temperature Range	-40/+85°C
DC Resistance	120 mOhms
DC Resistance	0.12 Ohms
Quality Factor	14 at 100 MHz, 33 at 500 MHz, 42 at 800 MHz, 47 at 1000 MHz
Self-Resonant Frequency	6000 MHz

### Dimensions

L	1.6mm +/-0.15mm
W	0.8mm +/-0.15mm
T	0.8mm +/-0.15mm

### Packaging Specifications

Packaging	T&R
Packaging Quantity	4000

Statements of suitability for certain applications are based on our knowledge of typical operating conditions for such applications, but are not intended to constitute - and we specifically disclaim - any warranty concerning suitability for a specific customer application or use. This Information is intended for use only by customers who have the requisite experience and capability to determine the correct products for their application. Any technical advice inferred from this Information or otherwise provided by us with reference to the use of our products is given gratis, and we assume no obligation or liability for the advice given or results obtained.